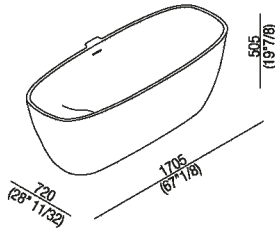




Bathtub  
 AVAS0910\_

Benedini Associati, 2008

Compact free-standing bathtub in  
 Cristalplant® biobased.



Bathtub in white Cristalplant® biobased or two colourd (exterior in dark grey RAL7021 or light grey RAL7044); with overflow hole, without tap holes; taps can be wall or floor mounted. Use of the waste with waste trap type .MET0477 or .MET0477C is mandatory (.MET0434 or .MET0477C for baths on display). The two-coloured model can be made in colours chosen by the client with a surcharge of 15% on the price of the two-coloured finish. For an easier installation of the bathtubs we recommend to use the template for the positioning of the waste trap AKITPZVAS.

**Finishes**

- White
- White/dark grey
- White/light grey

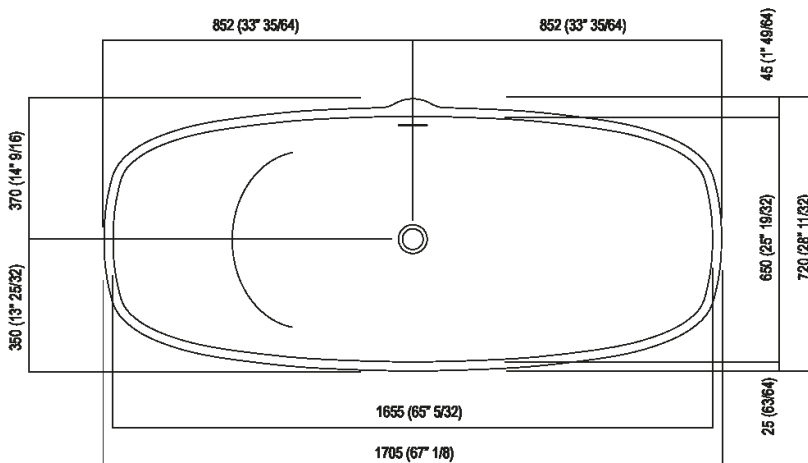
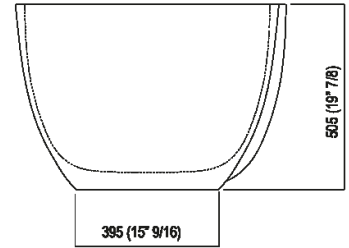
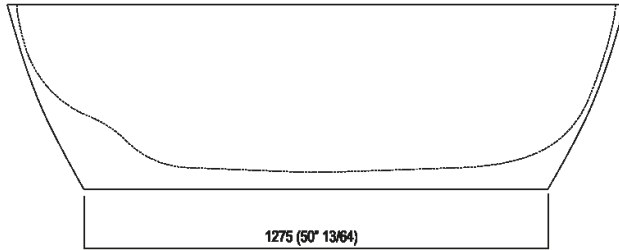
**Materials**

- Cristalplant® biobased

Height:	50.5 cm	19" 7/8 inches
Length:	170.5 cm	67" 1/8 inches
Weight:	76 kg	168 lbs
Depth:	72 cm	28" 11/32 inches
Capacity:	273 l	72 gal
Packaging:	100 x 200 x 82 cm	39" 3/8 x 78" 3/4 x 32" 1/4 inches
Total weight:	134 kg	295 lbs

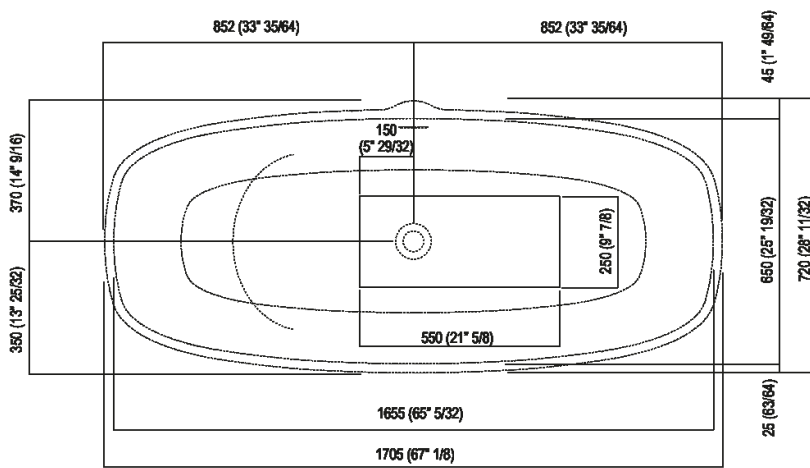


Main dimensions



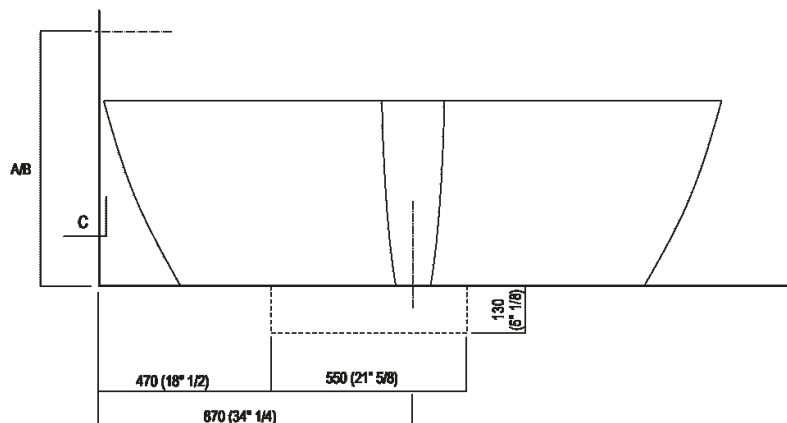
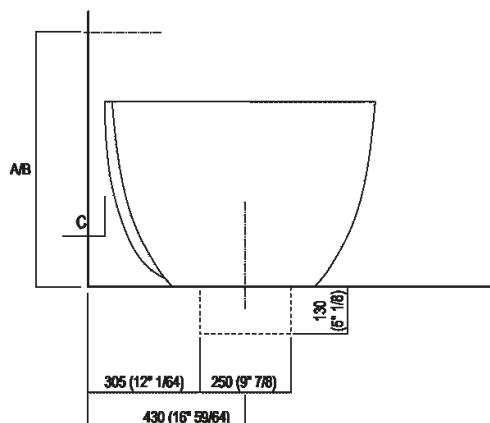


Dimensions for recess





Dimensions for wall mounted taps

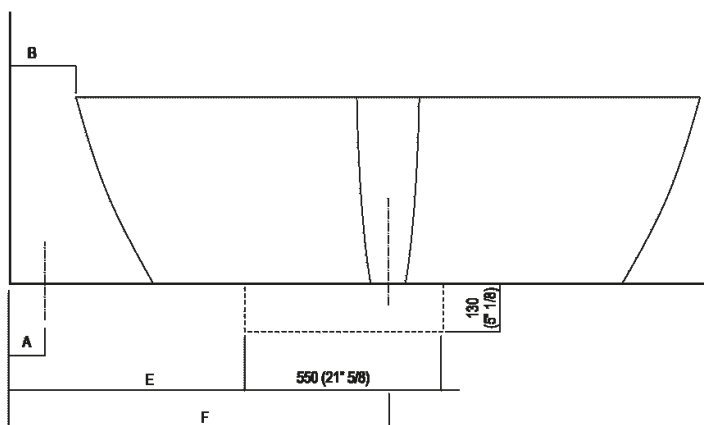
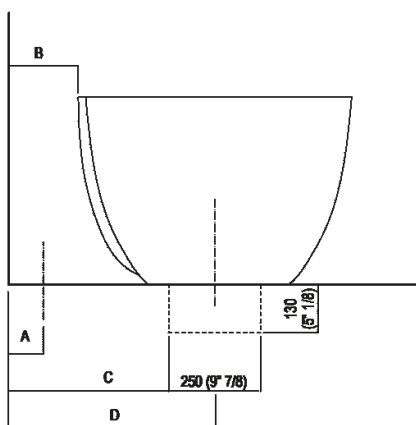


	A*	B**	C
FEZ 2 (EFEZ027)	700 (27' 1/2)	-	80 (3' 5/32)
LIMÓN (ELIM443)	700 (27' 1/2)	-	80 (3' 5/32)
MEMORY (EMEM324, EMEM343)	700 (27' 1/2)	-	80 (3' 5/32)
(EMEM342)	700 (27' 1/2)	-	50 (1' 31/32)
MEMORY MIX (EMEM437)	700 (27' 1/2)	-	50 (1' 31/32)
SQUARE (ERUB1117)	-	700 (27' 1/2)	50 (1' 31/32)
(ERUB1118)	-	700 (27' 1/2)	80 (3' 5/32)
SEN (ASEN0912V)	-	700 (27' 1/2)	50 (1' 31/32)

\* increase gruppo / axial distance for tap  
 \*\* filo inferiore gruppo / Tap's lower edge



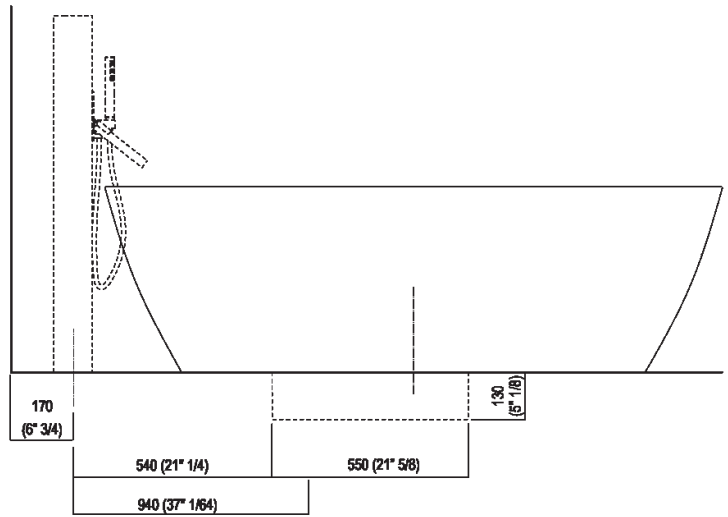
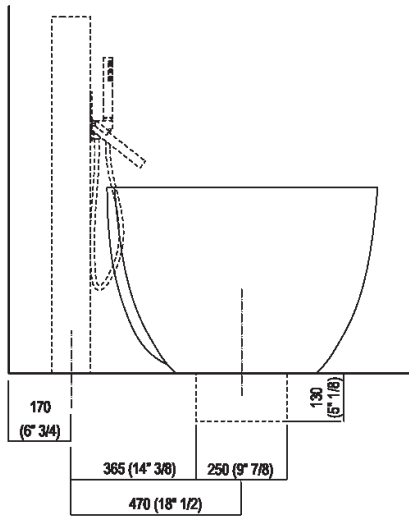
Dimensions for freestanding spouts



	A	B	C	D	E	F
FEZ 2 (EFEZ026, MET885) (EFEZ028)	90 (3 <sup>35</sup> / <sub>64</sub> ) 135 (5 <sup>5</sup> / <sub>16</sub> )	180 (7 <sup>3</sup> / <sub>32</sub> ) 210 (8 <sup>17</sup> / <sub>64</sub> )	435 (17 <sup>1</sup> / <sub>8</sub> ) 470 (18 <sup>1</sup> / <sub>2</sub> )	560 (22 <sup>3</sup> / <sub>64</sub> ) 595 (23 <sup>27</sup> / <sub>64</sub> )	620 (24 <sup>13</sup> / <sub>32</sub> ) 650 (25 <sup>19</sup> / <sub>32</sub> )	1020 (40 <sup>5</sup> / <sub>32</sub> ) 1050 (41 <sup>11</sup> / <sub>32</sub> )
LIMÓN (ELIM425)	135 (5 <sup>5</sup> / <sub>16</sub> )	210 (8 <sup>17</sup> / <sub>64</sub> )	470 (18 <sup>1</sup> / <sub>2</sub> )	595 (23 <sup>27</sup> / <sub>64</sub> )	650 (25 <sup>19</sup> / <sub>32</sub> )	1050 (41 <sup>11</sup> / <sub>32</sub> )
MEMORY (EMEM325)	135 (5 <sup>5</sup> / <sub>16</sub> )	210 (8 <sup>17</sup> / <sub>64</sub> )	470 (18 <sup>1</sup> / <sub>2</sub> )	595 (23 <sup>27</sup> / <sub>64</sub> )	650 (25 <sup>19</sup> / <sub>32</sub> )	1050 (41 <sup>11</sup> / <sub>32</sub> )
MEMORY MIX (EMIX425)	135 (5 <sup>5</sup> / <sub>16</sub> )	210 (8 <sup>17</sup> / <sub>64</sub> )	470 (18 <sup>1</sup> / <sub>2</sub> )	595 (23 <sup>27</sup> / <sub>64</sub> )	620 (24 <sup>13</sup> / <sub>32</sub> )	1020 (40 <sup>5</sup> / <sub>32</sub> )
LIMÓN / MEMORY / MEMORY MIX (EMEM327)	90 (3 <sup>35</sup> / <sub>64</sub> )	180 (7 <sup>3</sup> / <sub>32</sub> )	435 (17 <sup>1</sup> / <sub>8</sub> )	560 (22 <sup>3</sup> / <sub>64</sub> )	620 (24 <sup>13</sup> / <sub>32</sub> )	1020 (40 <sup>5</sup> / <sub>32</sub> )
SQUARE (ERUB1112, ERUB1115)	90 (3 <sup>1</sup> / <sub>8</sub> )	180 (7 <sup>3</sup> / <sub>32</sub> )	435 (17 <sup>1</sup> / <sub>8</sub> )	560 (22 <sup>3</sup> / <sub>64</sub> )	620 (24 <sup>13</sup> / <sub>32</sub> )	1020 (40 <sup>5</sup> / <sub>32</sub> )
SEN (ESEN0911, ESEN0977)	90 (3 <sup>35</sup> / <sub>64</sub> )	140 (5 <sup>33</sup> / <sub>64</sub> )	365 (14 <sup>3</sup> / <sub>8</sub> )	490 (19 <sup>19</sup> / <sub>64</sub> )	590 (23 <sup>15</sup> / <sub>64</sub> )	990 (38 <sup>3</sup> / <sub>32</sub> )

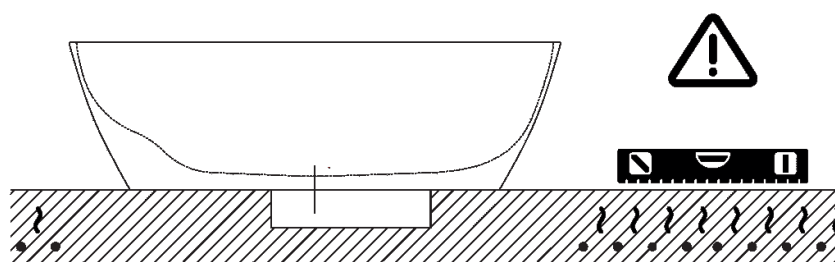


**Dimensions for tap support**





**Note**



**La vasca deve essere installata su un pavimento perfettamente piano.**  
**The bathtub must be positioned on a flat floor surface.**

**E' necessario predisporre a pavimento un pozzetto.**  
**It is necessary to prepare a recess in the floor.**

**Evitare di realizzare impianti di riscaldamento nell'area sottostante la vasca.**  
**Avoid the installation of floor heating plants in the area under the bathtub.**